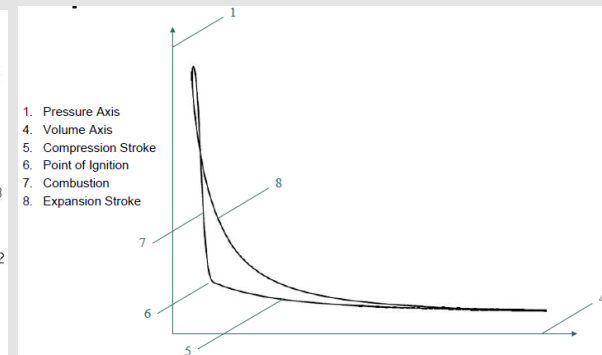
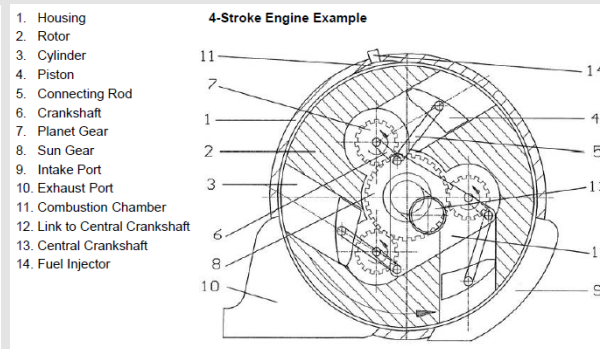
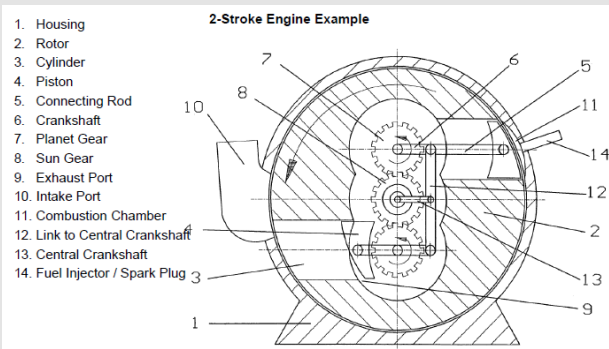


- **Ogunmuyiwa Motorentechnik GmbH**
- Dapo Ogunmuyiwa
- Dapo.Ogunmuyiwa@omttec.eu
- +491629610450

About us

- The Ogunmuyiwa Engine Cycle:



What we can offer

- Innovative internal combustion engine design
 - 74% indicated thermal efficiency
- Innovative combustion cycle

What or who we are seeking

- Collaboration with train manufacturers towards meeting the Stage IIIB & Stage IV emissions requirements

What's your innovation/idea

- The Ogunmuyiwa Engine:
 - Enables higher thermal efficiencies to be achieved
- The Ogunmuyiwa Engine Cycle:
 - Combustion is carried out on the compression stroke
 - More complete combustion

What's the market opportunity you are addressing

- Higher Thermal Efficiency
- Lower Exhaust Emissions
 - Stage IIIB
 - Stage IV
- Higher Power Density